

# AL'S 790-460 (S-FL)

3 Manholes FLOUT

Model 790-460 Septic-Flout

791 Gal. Septic 460 Gal Flout  
6" drawdown = 74.5 gallon dose

Note: Dose can be changed by changing drawdown adding displacement blocks

378 G.P.D. When Used As A Septic/Pump Or Septic/Siphon Based On A 3 Yr. Service Interval.  
96" depth of bury

## DIMENSIONS:

Length: 9'4"

Width: 7'0"

Height: 58"

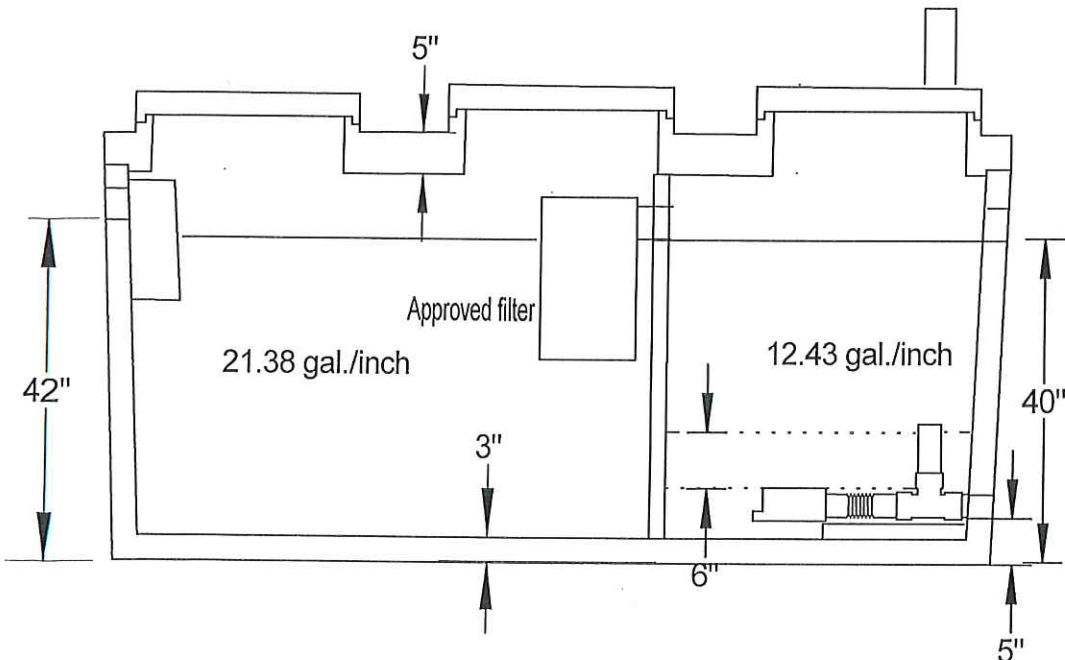
Below Inlet: 42"

Below Outlet: 40"

Tank Weight: 7153 lbs.

Cover Weight: 4114 lbs.

Total Weight: 11267 lbs.



**AL'S Concrete Products, Inc.**  
800 Townhall Road . La Crescent, MN 55947  
507-895-4509 1-800-982-9263 507-895-6805 Fax  
www.alsconcreteproducts.com