

# AL'S 1000-750

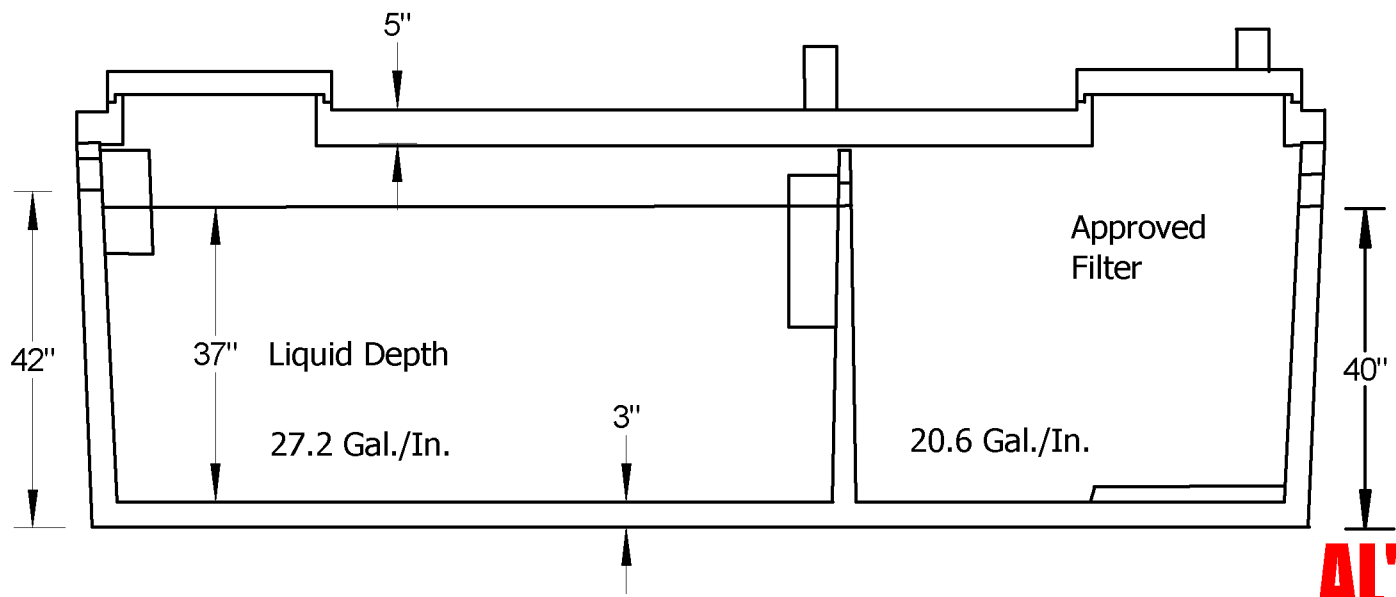
(ALS 1750 SP)  
2 Manhole

Model 1000-750, Holding.  
Septic-Pump, Septic-Septic,  
Septic-Siphon  
1008 Gal. Septic 763 Gal. Pump  
847 G.P.D. When Used As A  
Septic-Septic Tank Or 482 G.P.D.  
When Used As A Septic-Pump Or  
Septic-Siphon Tank Based On A  
3 Yr. Service Interval.

96" Depth Of Bury

DIMENSIONS:  
Length: 13'  
Width: 7'  
Height: 58"  
Below Inlet: 42"  
Below Outlet: 40"

Tank Weight: 9161 lbs.  
Cover Weight: 5733 lbs.  
Total Weight: 14894 lbs.



# AL'S 1000-750

With Pump Chamber Filter

**AL'S Concrete Products, Inc.**  
800 Townhall Road . La Crescent, MN 55947  
507-895-4509 1-800-982-9263 507-895-6805 Fax  
www.alsconcreteproducts.com