

AL'S 1250-750 X LOW With Pump Chamber Filter

Model 2000 X LOW 2 Compartment
Septic-Pump

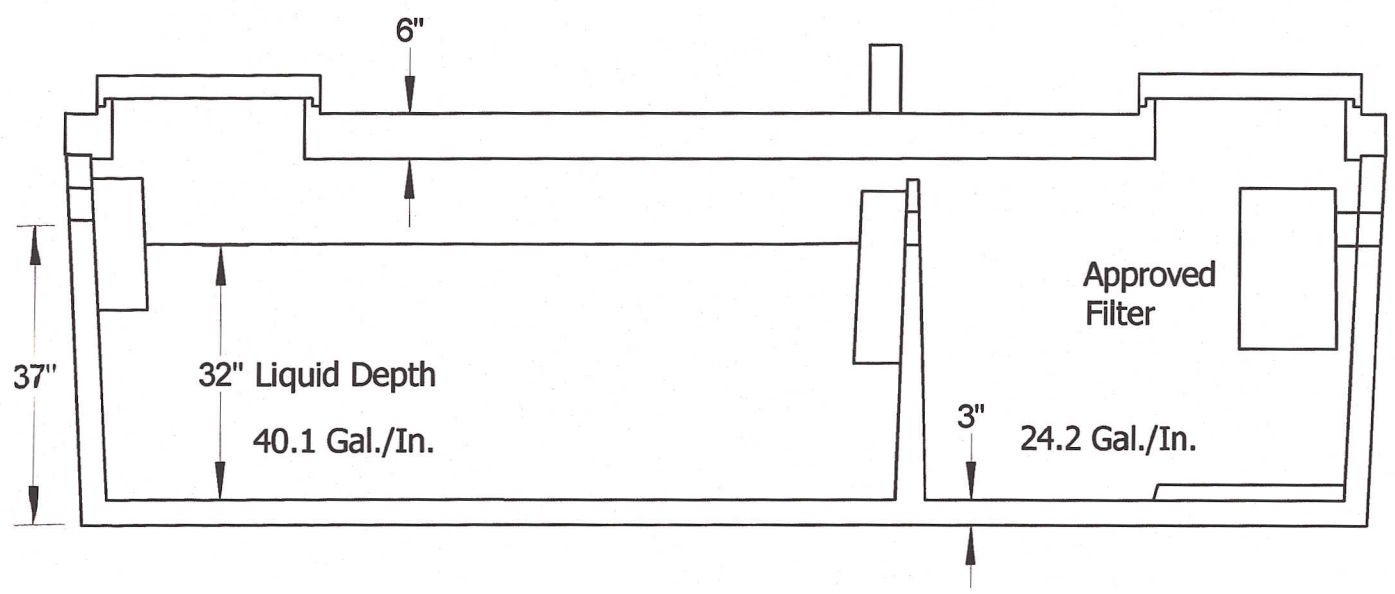
1282 Gal. Septic 774 Gal. Pump

613 G.P.D. When Used As A Septic-
Pump Tank Based On A 3 YR. Service
Interval For Residential Wastewater.

96" Depth Of Bury

- DIMENSIONS:**
 Length: 14' 0"
 Width: 8' 6"
 Height: 55"
 Below Inlet: 37"
 Below Outlet: 35"

- Tank Weight: 9865 lbs.
 Cover Weight: 8925 lbs.
 Total Weight: 18790 lbs.



AL'S Concrete Products, Inc.
 800 Town Hall Road • La Crescent, MN 55947