

AL'S 1000LP Oval

Model 1000 Septic, Holding, Pump, Or Siphon

1010 Ga. Septic 1067 Gal. Holding

484 G.P.D. When Used As A Septic Tank Based On A 3 Yr. Service Interval.

96" Depth Of Bury

DIMENSIONS:

Length: 8' 6"

Width: 7' 2"

Height: 57"

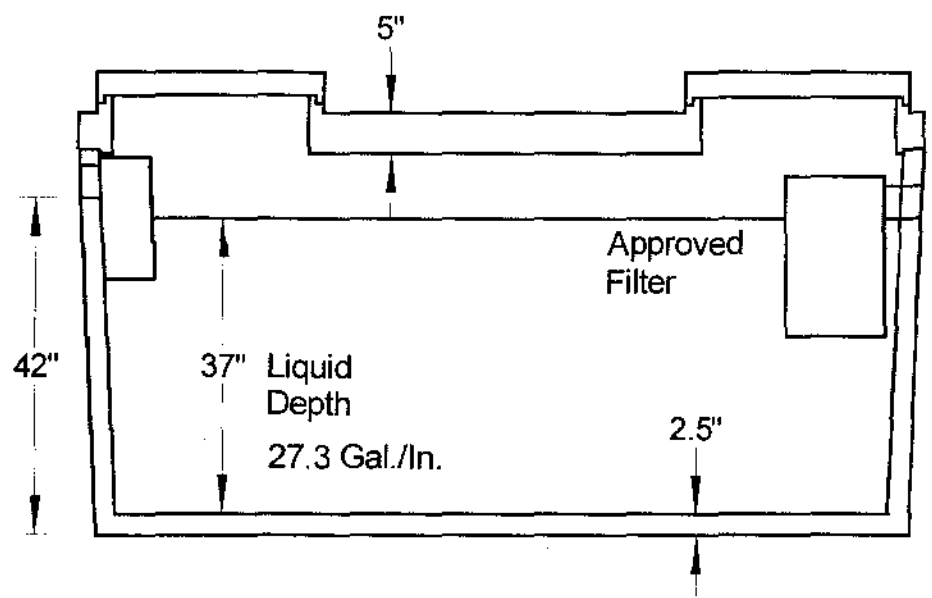
Below Inlet: 42"

Below Outlet: 39.5"

Tank Weight: 4496 lbs.

Cover Weight: 3228 lbs.

Total Weight: 7724 lbs.



AL'S CONCRETE PRODUCTS

800 Townhall Road, La Crescent, MN 55947

507-895-4509 1-800-982-9263 Fax: 507-895-6805