

# AL'S 1000-1000

With Pump Chamber Filter

Model 1000-1000 Septic-Pump & Septic-Septic

1026 Gal. Septic    1026 Gal. Pump  
 1026 Gal. Septic    1026 Gal. Septic

96" Depth Of Bury

### DIMENSIONS:

Length: 14' 0"

Width: 8' 6"

Height: 55"

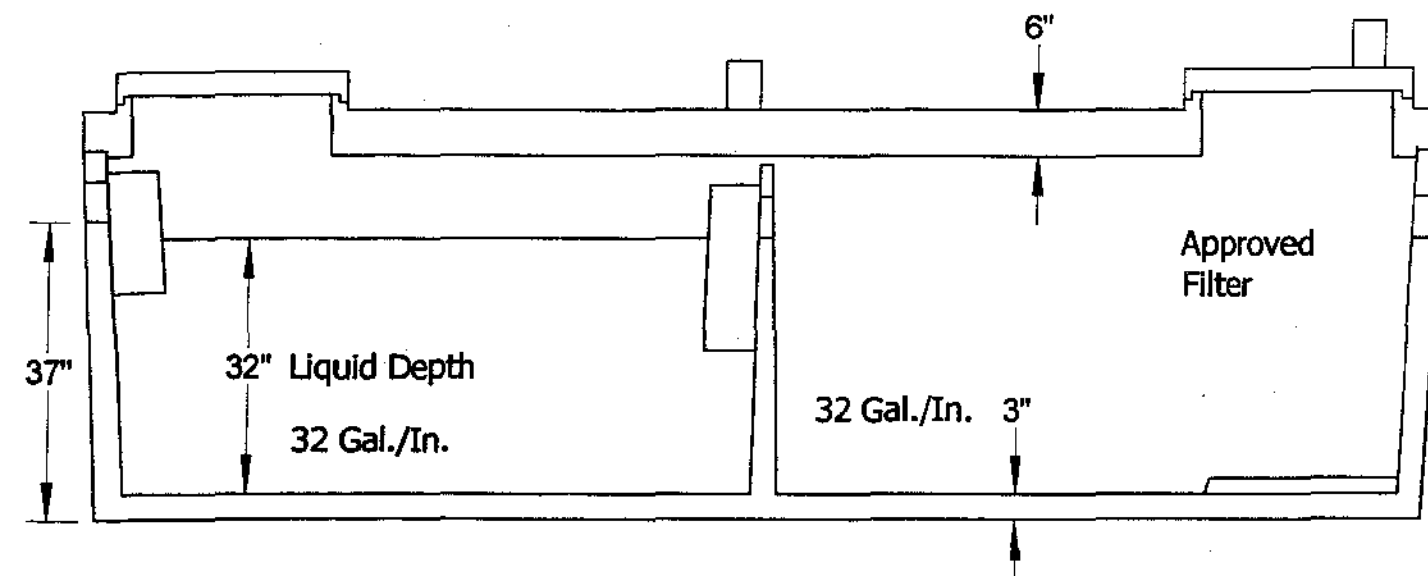
Below Inlet: 37"

Below Outlet: 35"

Tank Weight: 9865 lbs.

Cover Weight: 8925 lbs.

Total Weight: 18790 lbs.



**AL'S Concrete Products, Inc.**  
 800 Town Hall Road • La Crescent, MN 55947  
 (507) 895-4509 1-800-982-9263 Fax: 507-895-6805  
[www.alconcreteproducts.com](http://www.alconcreteproducts.com)