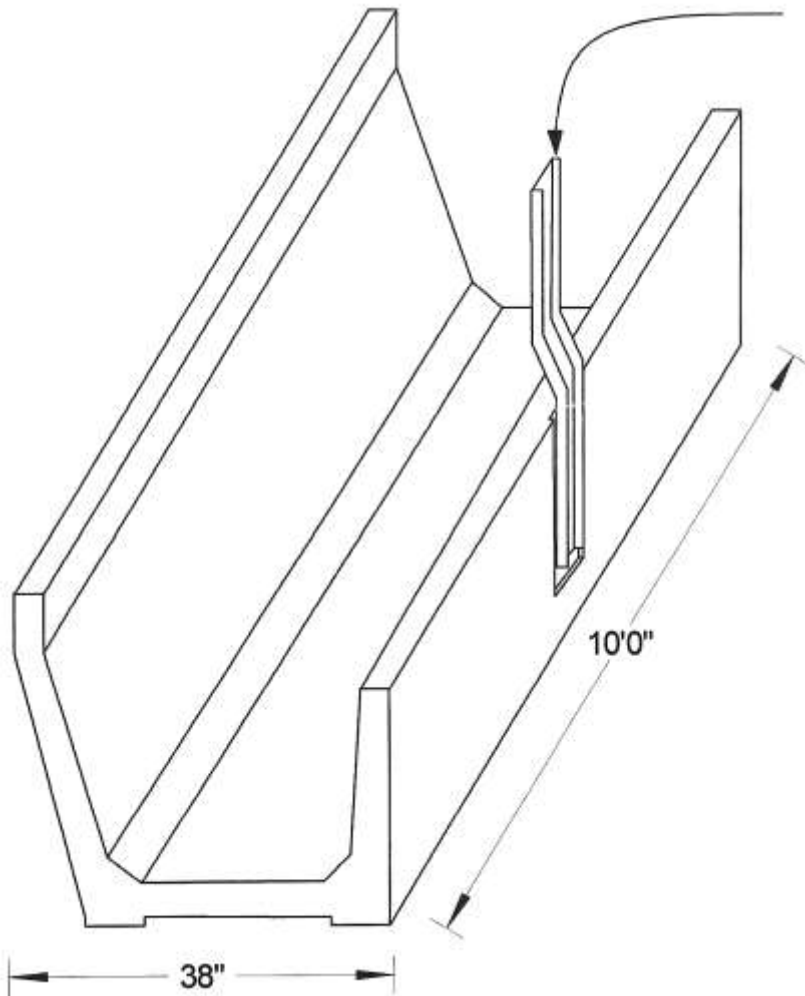


# SUPER HIGH CAPACITY FENCELINE FEED BUNK

## Super High Capacity Fenceline Feed Bunk With Slanted Back & 6" Feed Saver Lip



Pictured With Optional Guard Rail Post Mounted On The Outside Of The Bunk

A Straight Guard Rail Post May Be Mounted On The Inside Of The Bunk

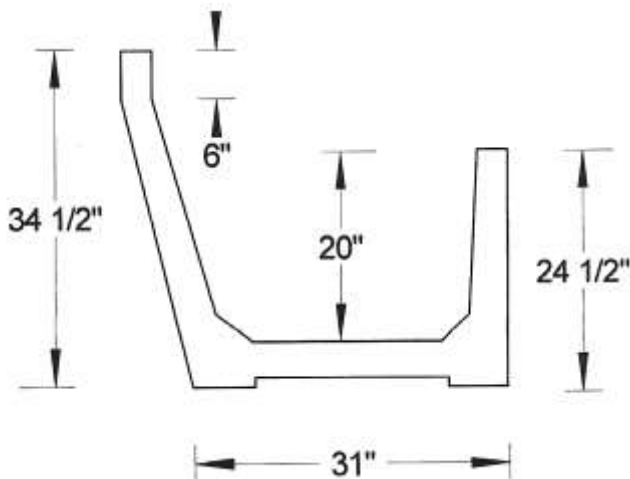
End Caps Are Cast Into The Bunk

38" wide, 34" high on back side.  
24 1/2" high on front side  
20" deep feed trough  
6" feed saver lip  
10' 0" long sections  
3000 lbs. per section

We recommend the bunk be placed on a 6" thick slab that is at least 48" wide. The bunk should be positioned with at least 12" of slab on the cattle side.



Pictured With The Straight Guard Rail Post Mounted On The Inside Of The Bunk



**AL'S Concrete Products, Inc.**  
800 Townhall Road . La Crescent, MN 55947  
507-895-4509 1-800-982-9263 507-895-6805 Fax  
www.alsconcreteproducts.com